

An industry standard for typical office environments, the LCD-100 is our most popular projector lift. It features a lowering distance of up to seven feet and a sturdy 75 lb. capacity.

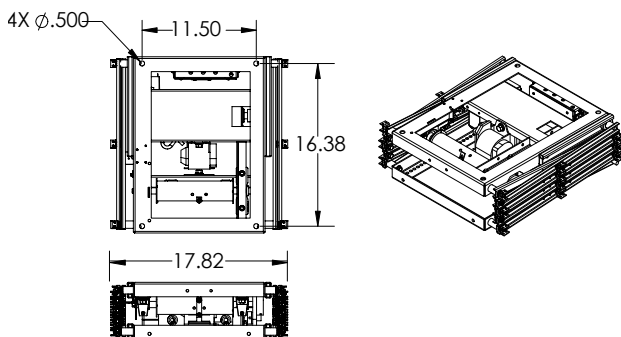
- Lowering distances: 4'-7'
- Weight capacity: 75 lbs.
- Three positions: stowed, show, service
- For small to mid-sized projectors, monitors, slide projectors, speakers, camera pan/tilts
- Position repeatable to better than 1/16"
- Cable management system
- Whisper-quiet operation
- Includes programmable wired hand-held remote
- Accessories: optional controls - RS232, IR, RF, optional closure styles for grid tile, plenum enclosures, 2' x 2' enclosures, motorized rotation, and cable pre-wire package



Lift only - no projector or closure system

| | | |
|---------|--------------------------|---------|
| LCD-104 | 18.5"l x 17.9"w x 5.75"h | 65 lbs. |
| LCD-105 | 18.5"l x 17.9"w x 6.75"h | 70 lbs. |
| LCD-106 | 18.5"l x 17.9"w x 7.75"h | 75 lbs. |
| LCD-107 | 18.5"l x 17.9"w x 8.75"h | 80 lbs. |

| Model | Length |
|---------|--------|
| LCD-104 | 4 feet |
| LCD-105 | 5 feet |
| LCD-106 | 6 feet |
| LCD-107 | 7 feet |



All plenum enclosures are built to the smallest dimension possible.
Contact Sales for dimensional drawings of your specific projector / installation.

Metric conversion: inches x 25.4

- Contact closure operation - 12V trigger in / out
- Power requirements:
110V, 0.6 amp; 220V, 0.3 amp
- Safety belt for earthquake standards
- Digital electronics with self diagnostics
- User programmable show / service positions
- Specify projector / lens for proper mount / closure
- Requires Display Devices mount adapter
- 1 year warranty

| Model # | LCD 100 Series Lift Options and Accessories |
|----------------|--|
| xxx | Mounting Adapter interface for projector. Must specify make and model number of projector and lens if projector offers lens options. |
| OPT-1 | Ceiling Closure Frame. Used with drywall or wood ceilings. Provides 2" trim finish for projector opening. Spring-loaded and fully adjustable. <i>Note:</i> EBR is recommended for installations with restricted access. |
| OPT-1L | Lipless Ceiling Closure Frame - Provides minimal seam around projector opening for drywall or wood ceilings. Spring-loaded and fully adjustable. <i>Note:</i> EBR is recommended for installations with restricted access. |
| OPT-3 | Plenum-Rated Housing With Closure Frame - Enclosed support framework and closure frame for drop-tile ceilings with plenum requirements. 2" trim finish for projector opening. Includes ceiling closure, spring-loaded and fully adjustable. |
| OPT-3L | Plenum-Rated Housing With Lipless Closure Frame. Enclosed support framework and closure frame for drop-tile ceilings with plenum requirements. Provides minimal seam around projector opening. Includes ceiling closure, spring-loaded and fully adjustable. |
| OPT-3L-2x2 | 2' x 2' Plenum-Rated Housing With Lipless Closure Frame for LCD-100 series only - Maximum projector size: 19" x 19" (including lens). Enclosed support framework and closure frame for drop-tile ceilings with plenum requirements. Provides minimal seam around projector opening. Includes ceiling closure, spring-loaded and fully adjustable. |
| OPT-4 | Non-Plenum-Rated Housing With Closure Frame. Support framework and closure frame for drop-tile ceilings with non-plenum requirements. 2" trim finish for projector opening. Includes ceiling closure, spring loaded and fully adjustable. |
| OPT-4L | Non-Plenum Rated Housing With Lipless Closure Frame. Support framework and closure frame for drop-tile ceilings with non-plenum requirements. Provides minimal seam around projector opening. Includes ceiling closure, spring loaded and fully adjustable. |
| OPT-4L-2x2 | 2' x 2' Non-Plenum Rated Housing With Lipless Closure Frame for LCD-100 series only - Maximum projector size: 19" x 19" (including lens). Support framework and closure frame for drop-tile ceilings with non-plenum requirements. Provides minimal seam around projector opening. Includes ceiling closure, spring loaded and fully adjustable. |
| OPT-5 | Bomb Bay Door ceiling closure system. Provides support framework and dual opening doors for non-plenum applications. |
| OPT-9 | RS-232 Serial control interface - allows for unlimited show positions when using a third party control system (Crestron/AMX). |
| OPT-11A | Cable Pre Wire - Pre-wire of lift with control, signal and power cabling. |
| PCS-02 | Power Current Sensor for projectors and Flat Panel Displays, 110V only. |
| EMRCM | Electronic Motorized Rotating Ceiling Mount. Adds rotation of a projector to any Display Devices projector lift. Controlled via third party RS-232 (i.e., Crestron, AMX, etc.) to allow two programmable vertical and rotational show positions. Weight capacity of 100 lbs. including closure. 110V/220V. |
| REM-IR | Wireless Infrared Remote Control. May be used with any motorized Display Devices product. |
| REM-RF | Wireless RF Remote Control. May be used with any motorized Display Devices product. |
| WPR-L01-W | Wall Plate Remote for all lifts. Single-gang white. |
| WPR-L01-B | Wall Plate Remote for all lifts. Single-gang black. |
| WPR-L01-S | Wall Plate Remote for all lifts. Single-gang brushed steel. |
| REM-L19-RM | Rack Mount Panel Remote wired control panel. 1.75" x 19" EIA. Black. |
| REM-L02-WLKY-W | Locking Wall Plate Remote wired control panel with security key lock. 2-gang, white. |
| REM-L02-WLKY-B | Locking Wall Plate Remote wired control panel with security key lock. 2-gang, black. |
| REM-L02-WLKY-S | Locking Wall Plate Remote wired control panel with security key lock. 2-gang, brushed steel. |
| SPK-DL | Spare Parts Kit - includes control electronics, timing sprocket, limit switches, multi meter, motor control box. |
| EBR | Emergency Brake Release - Lowers lift for service access. Recommended when access to a retracted lift is restricted i.e., drywall. Must be purchased at the same time as the lift. |