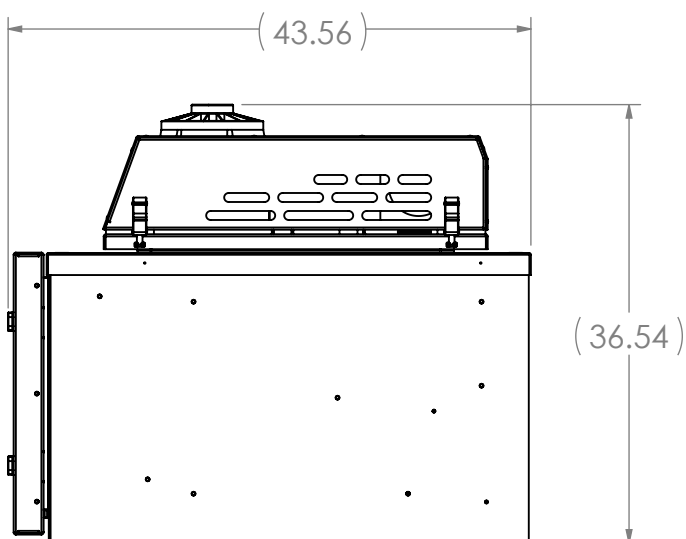
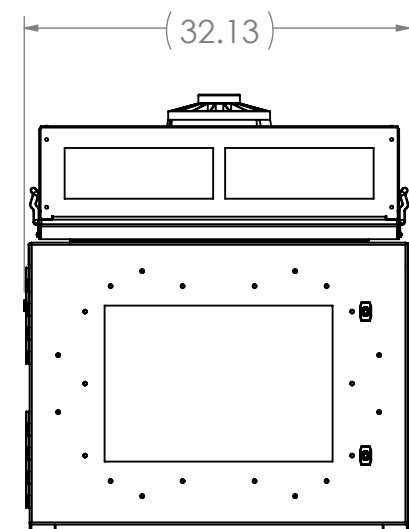
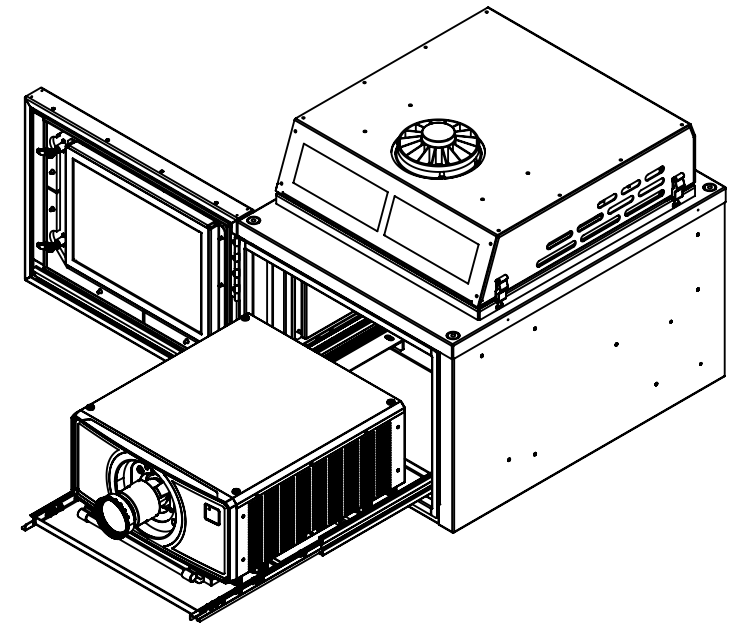
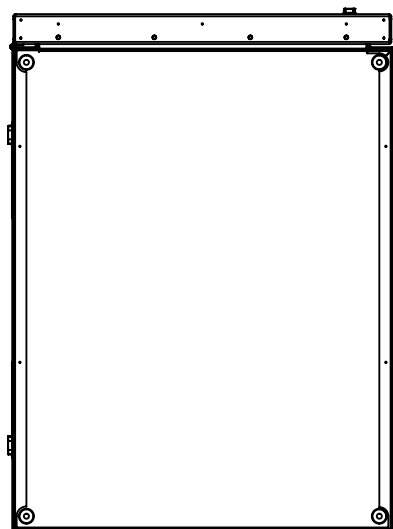
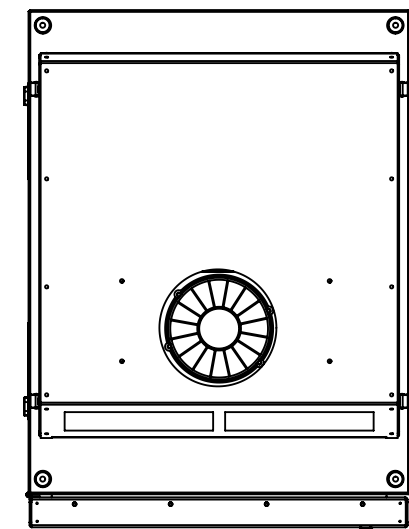



8 7 6 5 4 3 2 1

- NOTES:
1. DEBUR ALL SHARP EDGES.
 2. ALL THREADS TO BE FREE OF POWDER COAT AND, OR PAINT.
 3. Δ INDICATES CHANGE AT LAST REVISION.

REVISIONS				
REV.	DESCRIPTION	DRAWN BY	CHECKED BY	DATE
A	INITIAL RELEASE	LCS	C WALKER	11/4/2024



UNLESS OTHERWISE SPECIFIED:
 DIMENSIONS ARE IN INCHES
 TOLERANCES:
 .XX = ± .020
 .XXX = ± .010
 .XXXX = ± .0050
 ANGLE: ± .5°
 INTERPRET DRAWING PER Y14.100.
 DIMENSIONS AND TOLERANCES
 ARE IN ACCORDANCE WITH
 ASME Y14.5 - 2009.

THIRD ANGLE PROJECTION

 DO NOT SCALE DRAWING

DRAWN BY
C WALKER
 MATERIAL
 FINISH
PROPRIETARY AND CONFIDENTIAL
 THE INFORMATION CONTAINED IN THIS
 DRAWING IS THE SOLE PROPERTY OF
 DISPLAY DEVICES, INC. ANY
 REPRODUCTION IN PART OR AS A WHOLE
 WITHOUT THE WRITTEN PERMISSION OF
 DISPLAY DEVICES, INC IS PROHIBITED.

DISPLAY DEVICES
Design • Engineering • Manufacturing

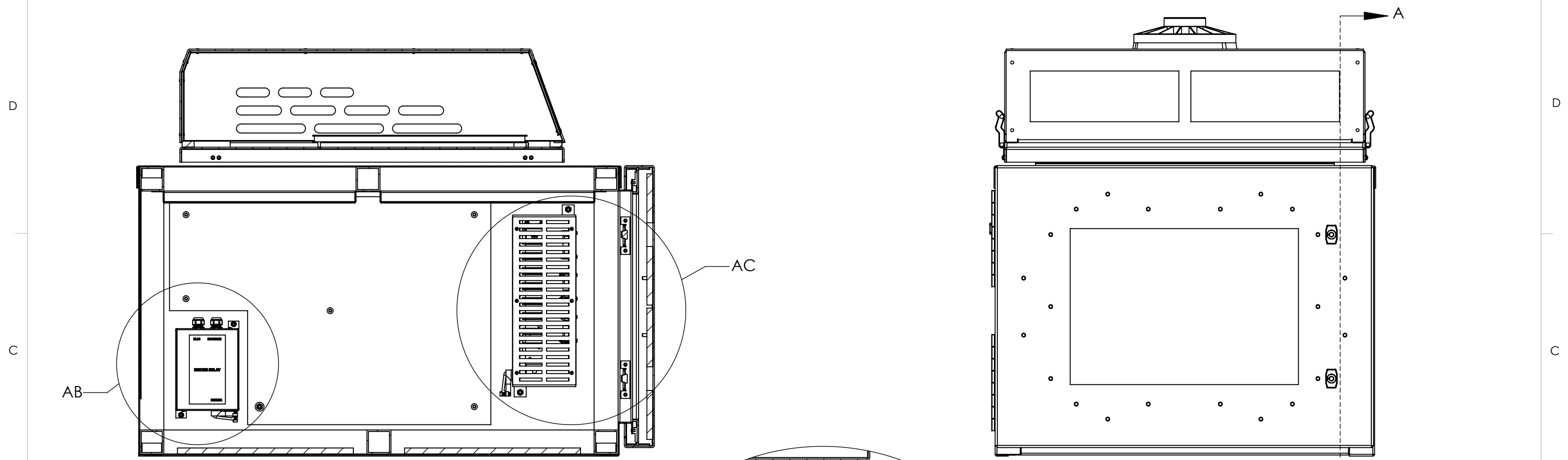
TITLE:
PJE - 1530

SIZE B	DWG. NO. 8105-06400	REV A
------------------	-------------------------------	-----------------

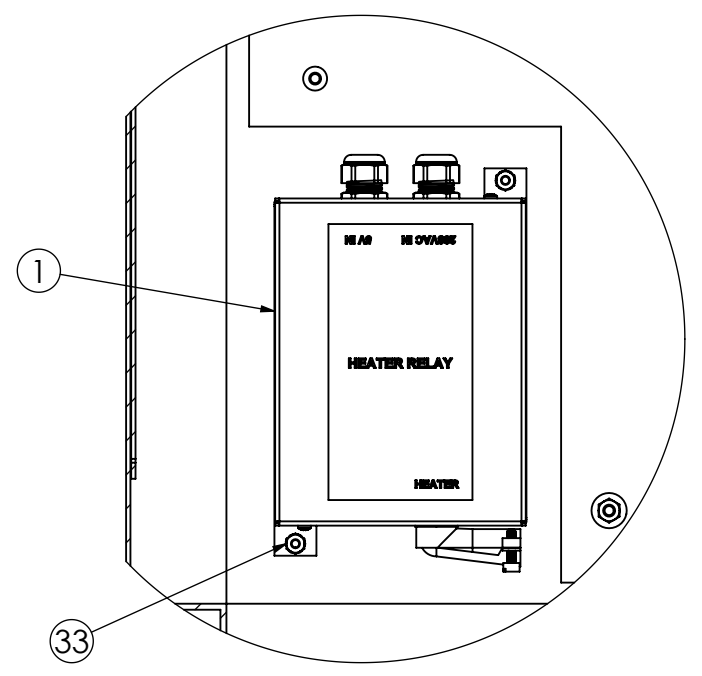
SCALE: 1:2 SHEET 1 OF 7

8 7 6 5 4 3 2 1

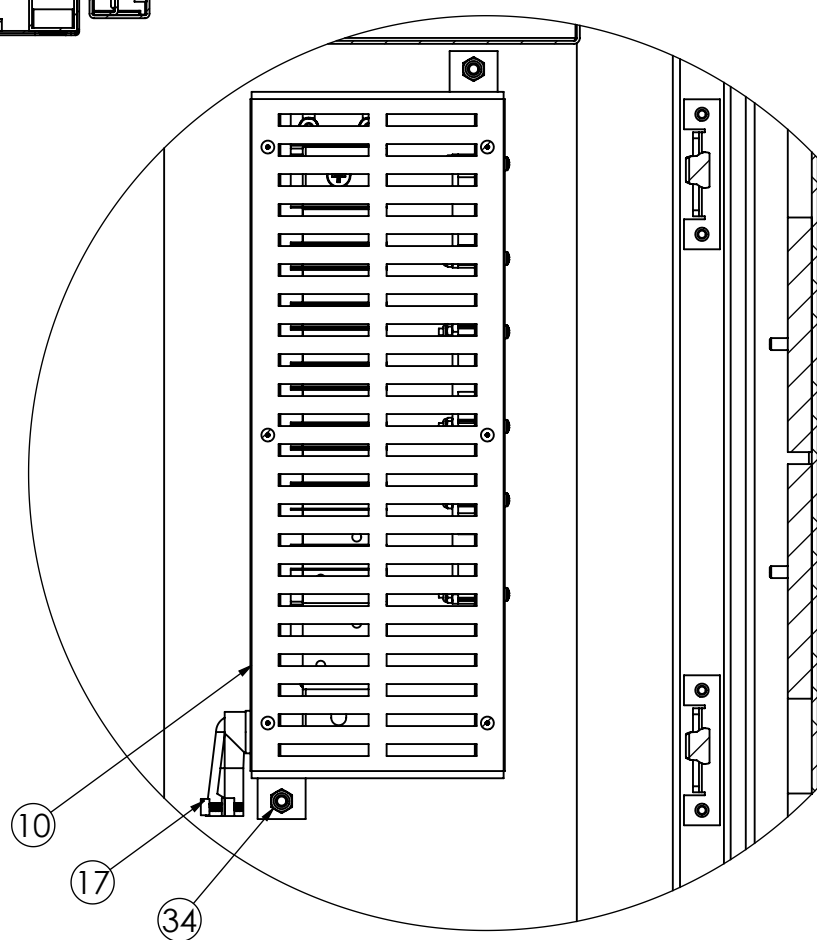
8 7 6 5 4 3 2 1



SECTION A-A
SCALE 1 : 8



DETAIL AB
SCALE 1 : 4



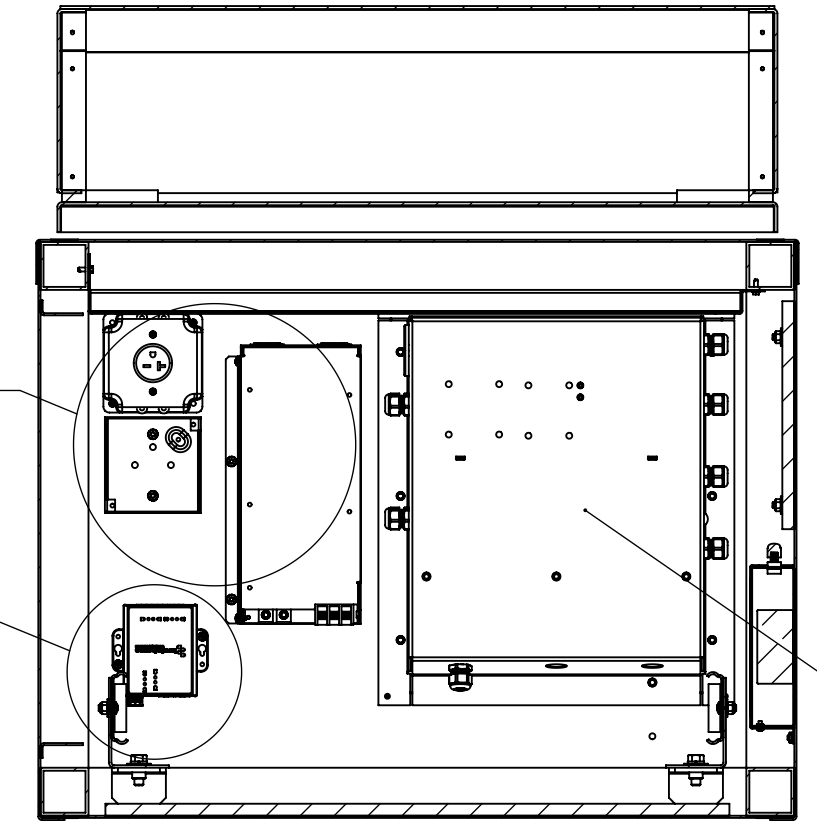
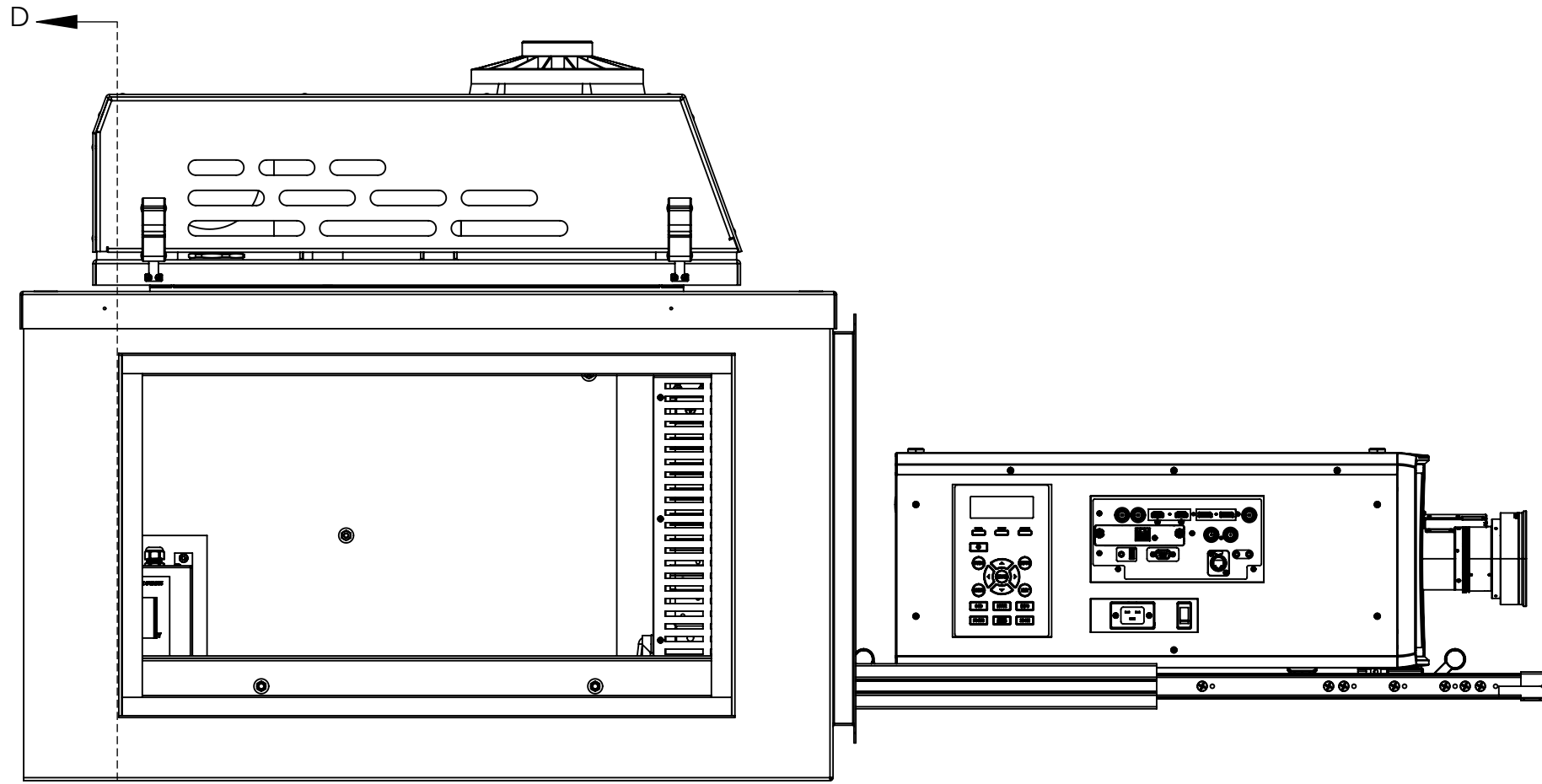
DETAIL AC
SCALE 1 : 4

SIDE PANEL COMPONENTS

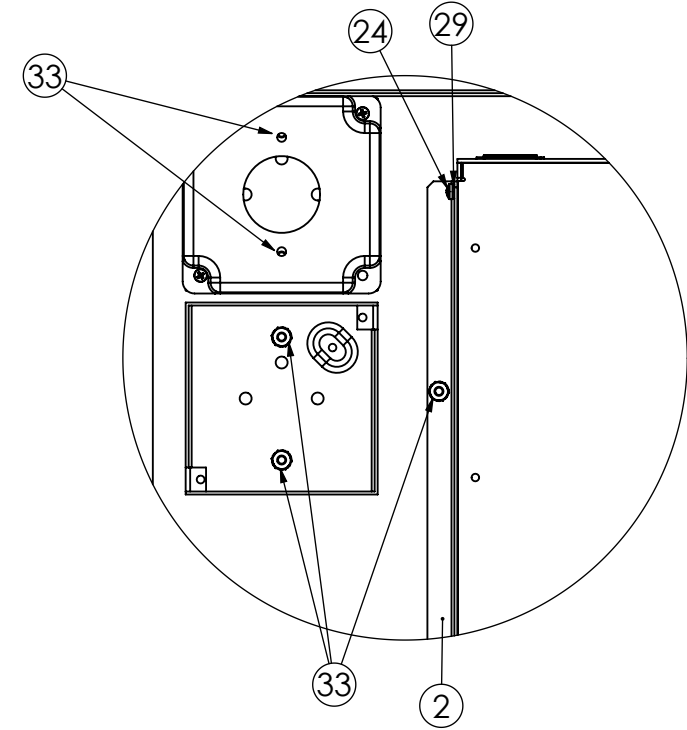
SIZE	DWG. NO.	REV
B	8105-06400	A
SCALE: 1:2		SHEET 2 OF 7

8 7 6 5 4 3 2 1

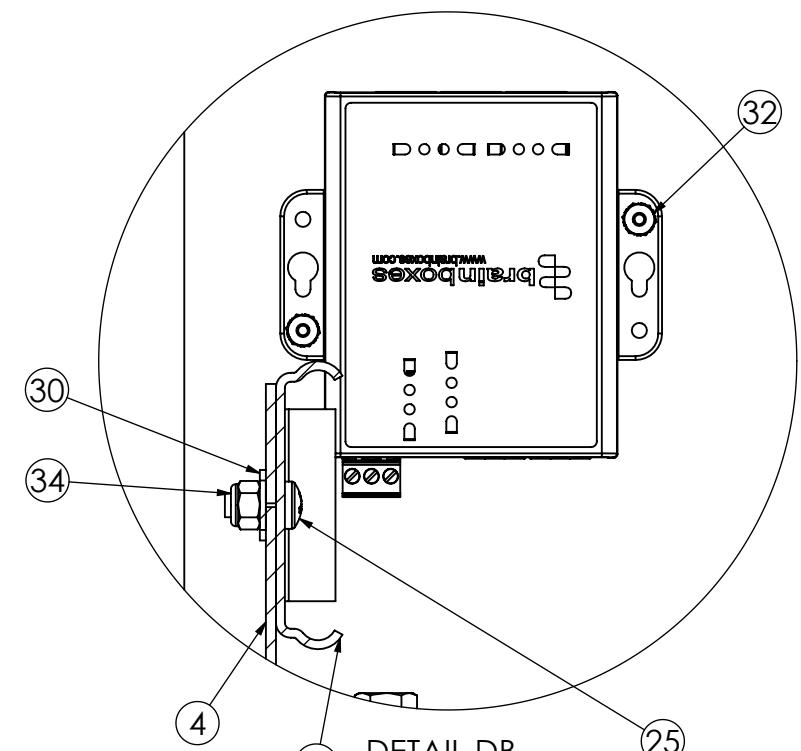
8 7 6 5 4 3 2 1



SECTION D-D
SCALE 1 : 8



DETAIL DA
SCALE 1 : 4



DETAIL DB
SCALE 1 : 2

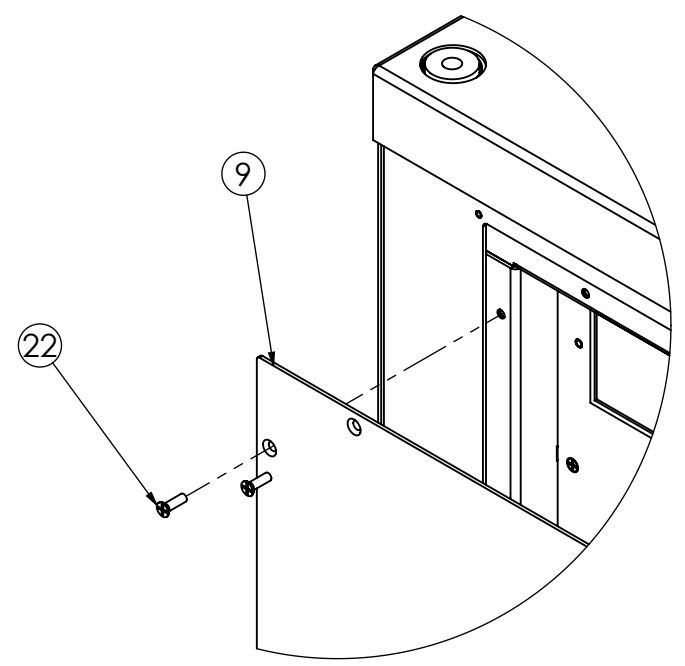
REAR PANEL COMPONENTS AND DRAWER SLIDE HARDWARE

SIZE B	DWG. NO. 8105-06400	REV A
SCALE: 1:2		SHEET 3 OF 7

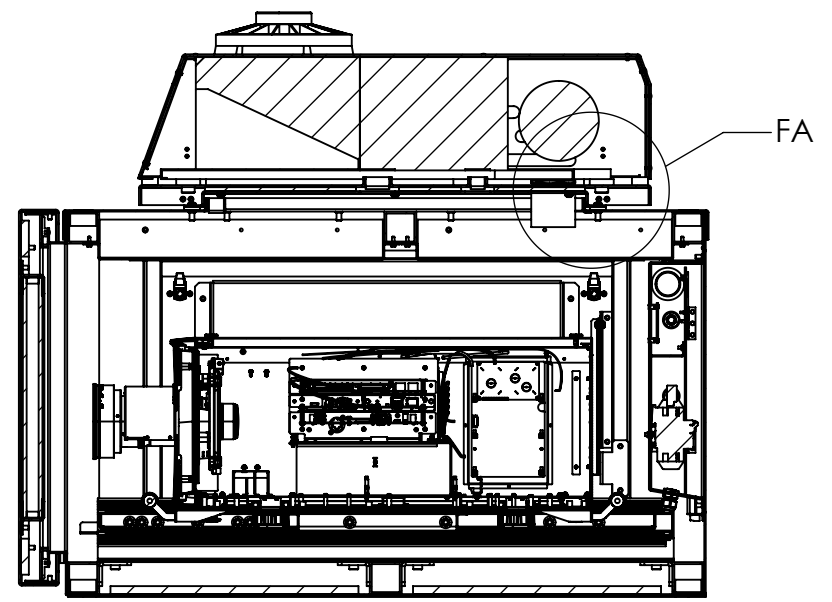
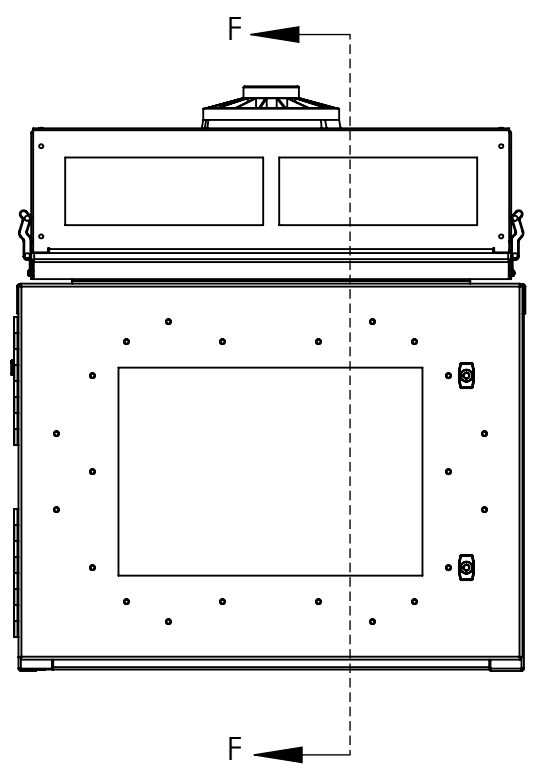
8 7 6 5 4 3 2 1

8 7 6 5 4 3 2 1

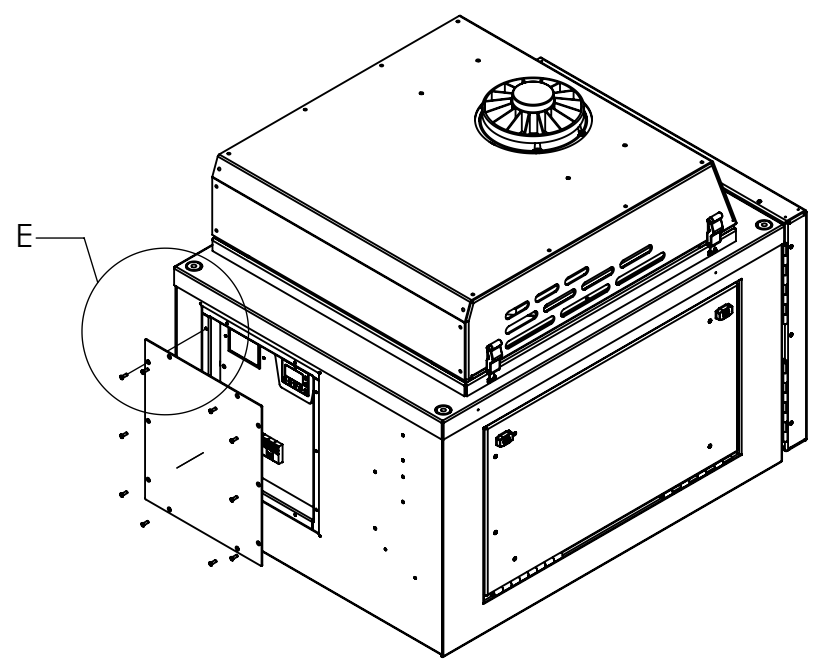
D
C
B
A



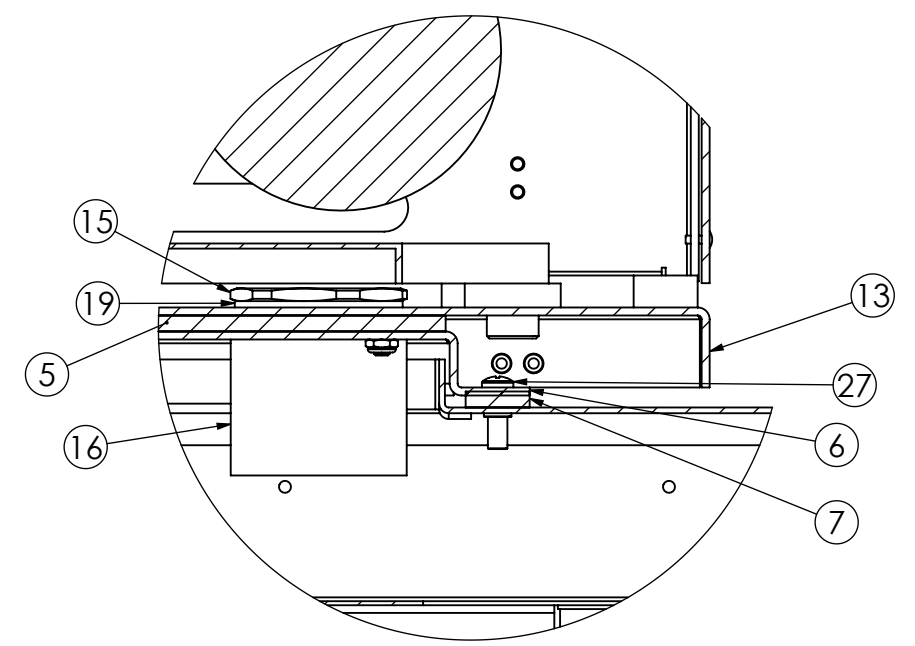
DETAIL E
SCALE 1 : 4



SECTION F-F
SCALE 1 : 12



REAR PANEL INSTALL



DETAIL FA
SCALE 1 : 3

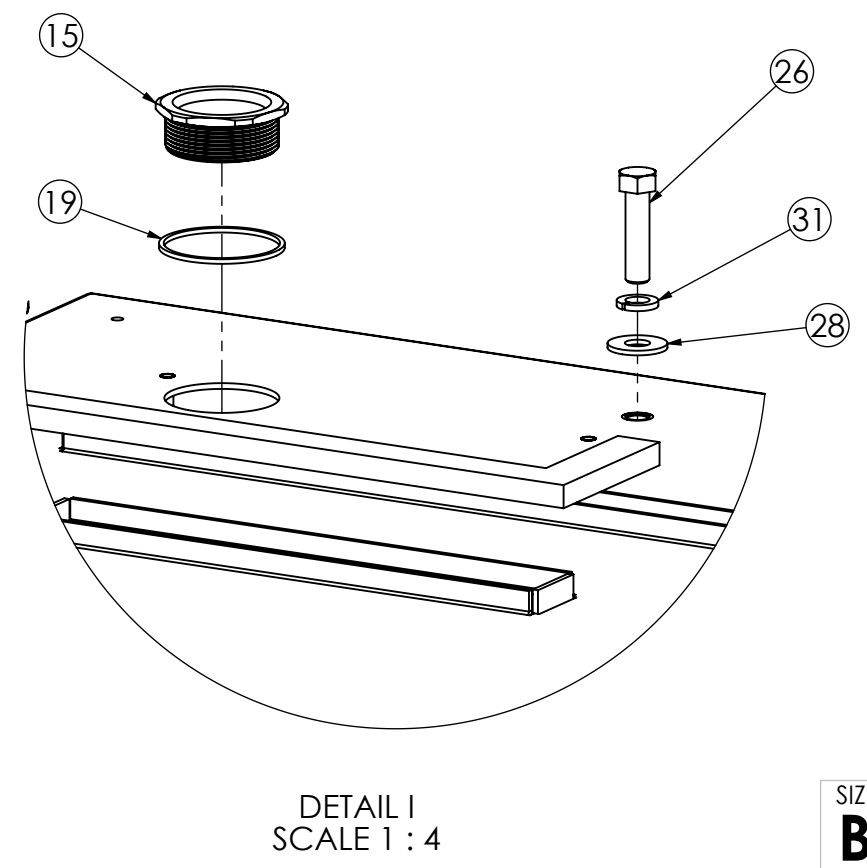
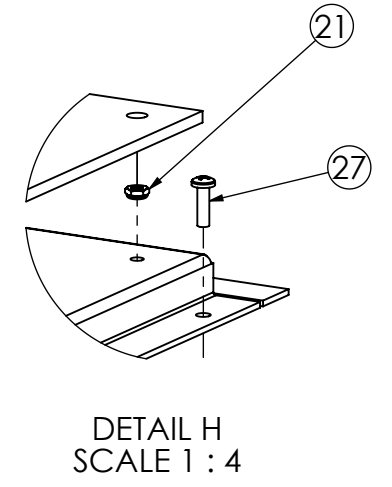
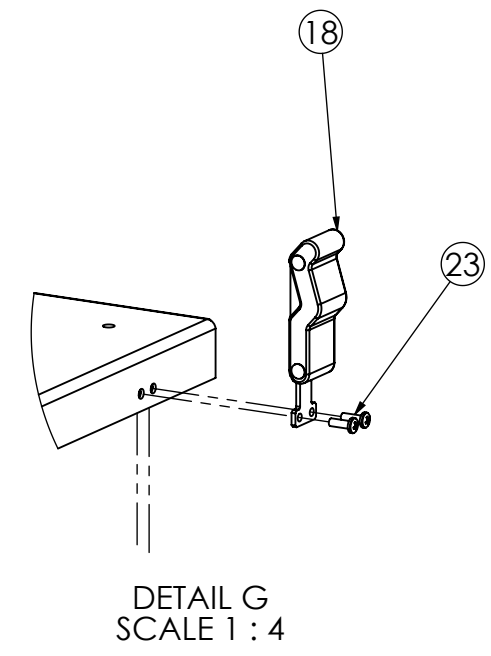
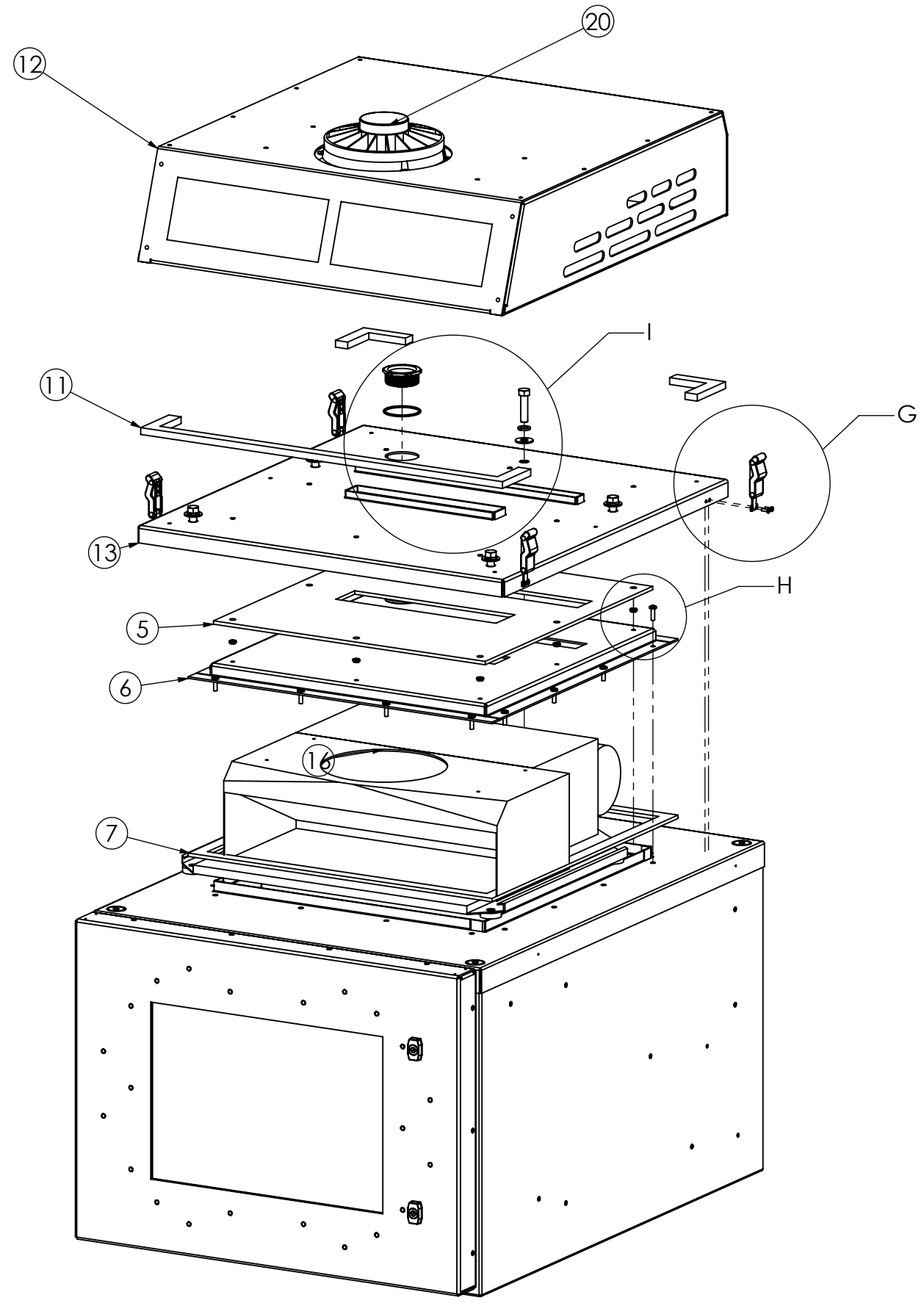
8 7 6 5 4 3 2 1

SIZE	DWG. NO.	REV
B	8105-06400	A
SCALE: 1:2		SHEET 4 OF 7

8 7 6 5 4 3 2 1

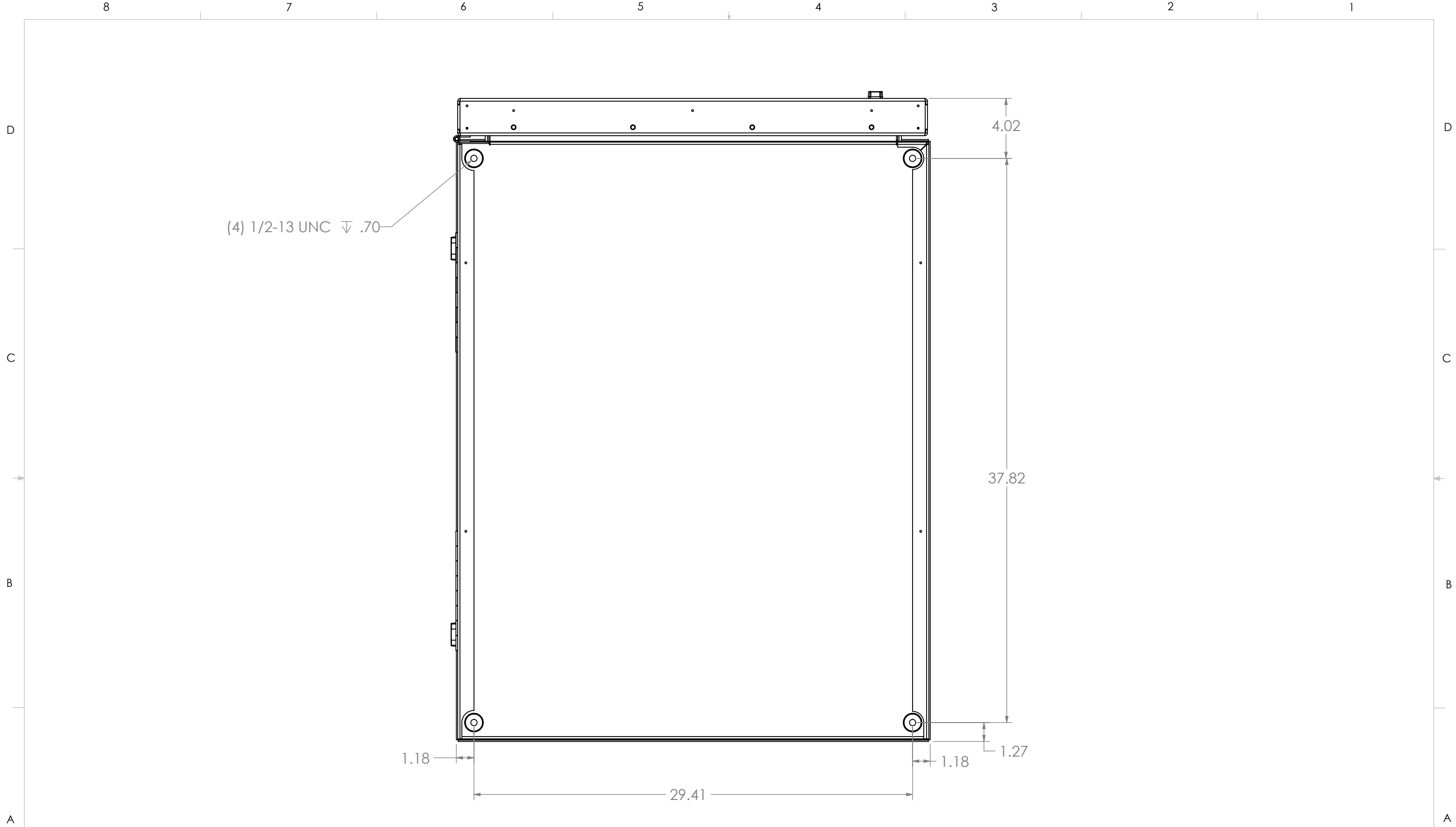
D
C
B
A

D
C
B
A



8 7 6 5 4 3 2 1

SIZE	DWG. NO.	REV
B	8105-06400	A
SCALE: 1:2	SHEET 5 OF 7	



BOTTOM MOUNTING DETAIL

SIZE	DWG. NO.	REV
B	8105-06400	A
SCALE: 1:6		SHEET 6 OF 7